

PVC Open-Canal Grating



ATLANTA INDUSTRIES, INC.



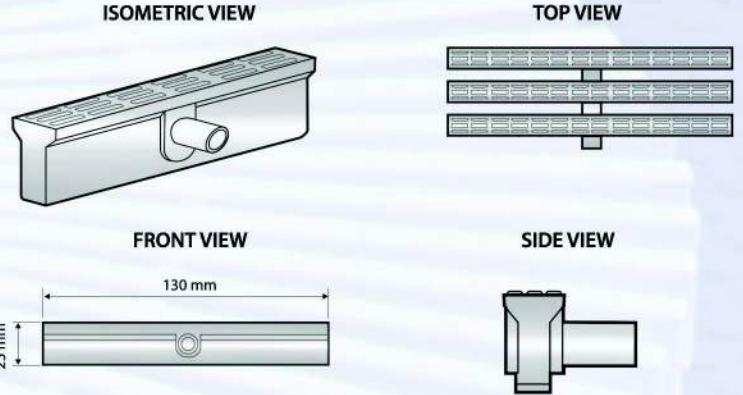
DESIGN & PRODUCT INFORMATION

Atlanta PVC Open-canal grating is formulated with maximum U.V. Inhibitors added to 100% virgin exterior grade impact resistant pvc resin.

Parallel slip-resistant chamfered on one side is embossed into the grating top surface as a standard safety feature.

Perpendicular to drainage trench in straight or curved configurations

50 pcs. Per linear meter



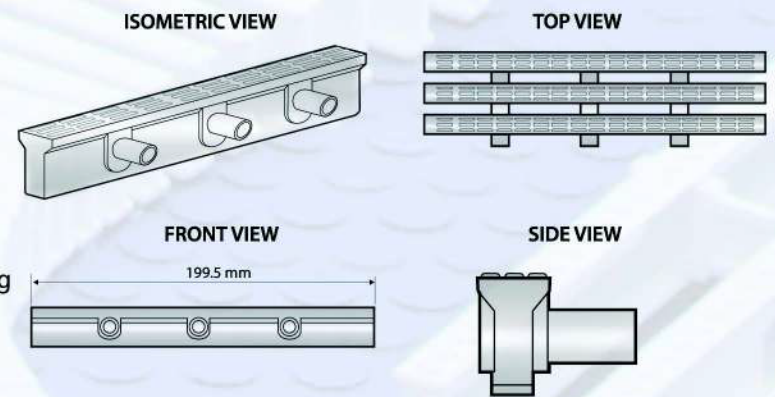
Atlanta PVC Open-Canal Grating Advantages

SAFETY- Atlanta PVC Grating has a permanent parallel slip resistant surface. There are no coatings or grit to catch dirt & wear out. Atlanta pvc grating is safe & comfortable even to bare feet.

CONSTRUCTION- Atlanta PVC Grating is extruded from exterior grade, impact reinforced ultraviolet stabilized virgin PVC. It is resistant to frost & freezing even in the worst climates.

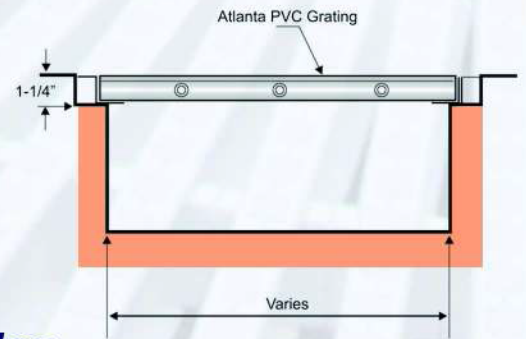
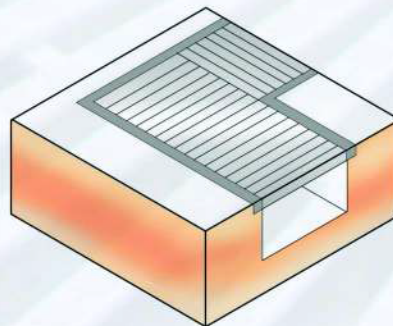
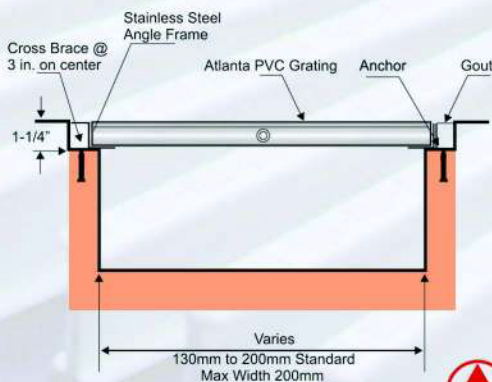
GRATING COLORS- The color is permanent, not a paint or coating. Atlanta PVC Grating is available in gray colour.

TOUGH- Atlanta PVC Grating is "hammer-tough" & will not crack, shatter or split in normal applications.



INSTALLATION METHOD

Atlanta Open-canal PVC Grating can be installed with or without stainless steel angle frame in perpendicular or curved configurations of the drainage trench. (See illustration 1.)



Atlanta Industries, Inc.

35th Flr. Atlanta Center No. 31 Annapolis St. Greenhills San Juan City
 WEBSITE: www.atlanta.ph EMAIL: atlanta@atlanta.ph
 Tel. # 723 0781-96 / 744 4700 Fax # 722 8705 / 723 9576